



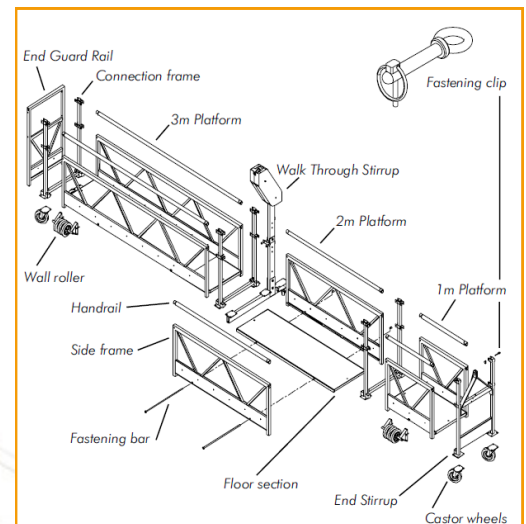
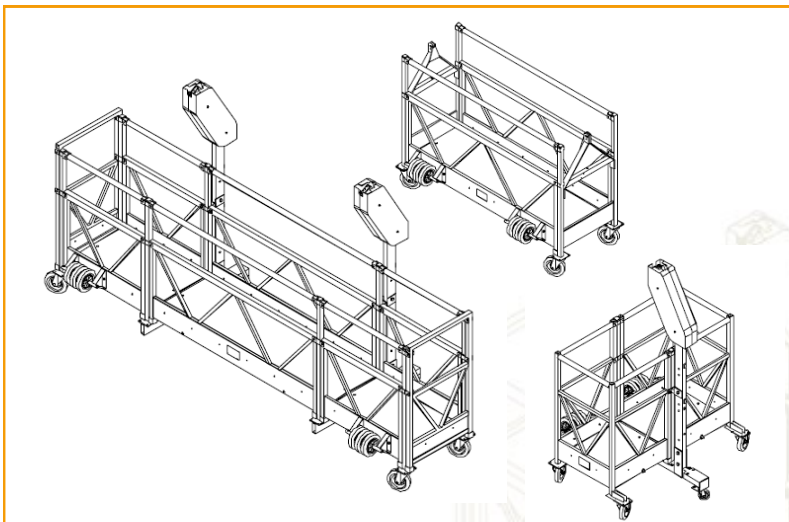
LIGHT WEIGHT STAGE

The **SKY CLIMBER® LIGHT WEIGHT STAGE** is designed for use with any Sky Climber powered rigging hoist. The combination forms a complete modular light weight suspended access system and is a cost effective compliment to the range of Sky Climber products.

The suspension, connection and walk-through stirrups are fabricated from steel and paint protected. All other components are aluminum alloy.

Light Weight Stage is ideal in a number of work environments

- Painting
- Concrete Repair
- Sandblasting
- Commercial Restoration
- Window maintenance and cleaning
- General Building Maintenance
- Cladding
- Off shore Oil rigs
- Ship Maintenance
- Wind Turbine service access and blade maintenance



Light and easy

A 12 m platform can easily be handled and assembled by 2 men. The heaviest component a 3 m floor weighs only 24 Kg. Fast and easy, the components are designed to assemble a 16 m platform in less than 15 minutes. No tools required as all joints are made by means of connection pins and secured with safety pins.

When walk-through stirrups are used, an additional module can be added to each end, making a maximum stage length of 16 m and giving better access to corners of buildings, etc.

In addition, the walk-through stirrup assembly in conjunction with two balcony sections of 0.75 m can be used to make up a single hoist stage having a nominal length of 1.5 m.

Economical

The Sky Climber "Light Weight Stage" provides a very cost effective solution to many access problems.

Safety

All standard configurations are CE (EN1808) approved, meeting and/or exceeding world wide safety regulations.

Modular

Using 1, 2 and 3 m modules, the "Light Weight Stage" can be assembled to achieve a maximum length of 12 m between suspension centres.

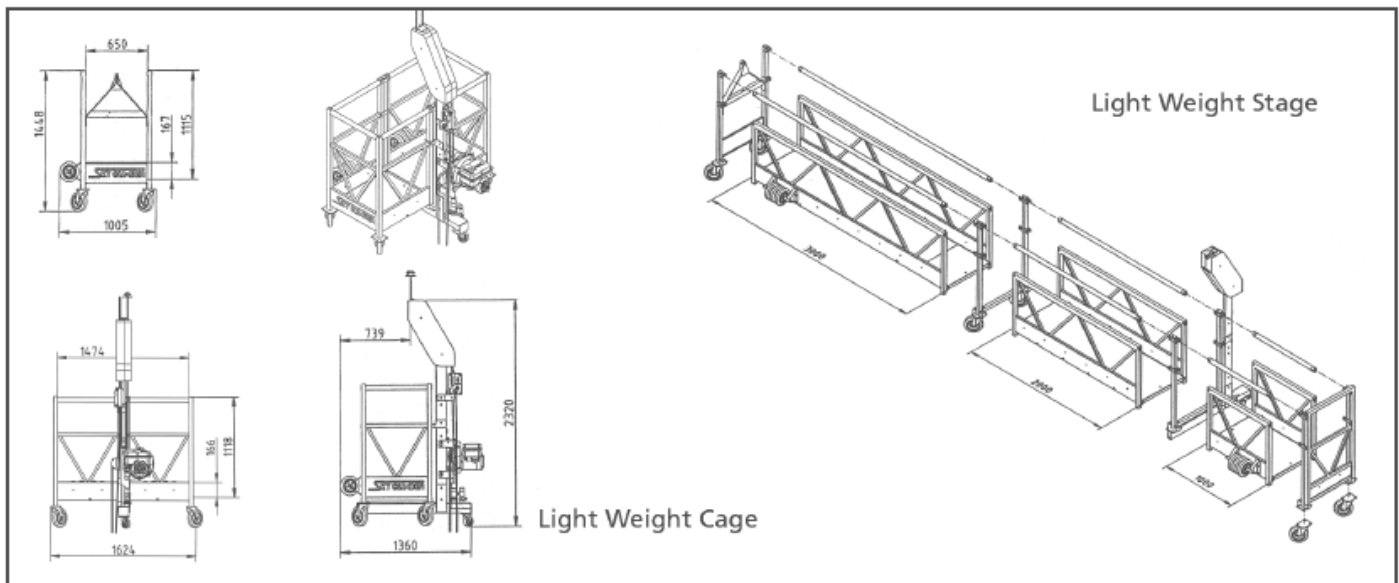
Walk-through stirrups can be used with this system as an alternative to the standard suspension stirrups.

Interchangeability

Any type of Sky Climber rigging hoist with standard safety equipment such as the Sky Grip or Sky Lock etc. will fit any suspension stirrup.

Count on Sky Climber... backed by over 50 years industry experience, known for many innovative, industry first achievements, leading a safe, fast and strong way into the future.

Technical Specifications



CONFIGURATIONS	Unit Kg	2 m	3 m	4 m	5 m	6 m	7 m	8 m	9 m	10 m	11 m	12 m	14m	16m
End Connection Stirrup w/ pins	18	2	2	2	2	2	2	2	2	2	2	2		
Walk Through Stirrup	65												2	2
Connection Pin	0,1	incl.	incl.	incl.	incl.	incl.	incl.	incl.	incl.	incl.	incl.	incl.	incl.	incl.
1 meter Side Frame	8												4	
1 m Floor Element	8												2	
1 m Hand Rail	1,3												4	
2 m Side Frame	14	2		4	2		4	2		4	2			4
2 m Floor Element	16	1		2	1		2	1		2	1			2
2 m Hand Rail	2,6	2		4	2		4	2		4	2			4
3 m Side Frame	20		2		2	4	2	4	6	4	6	8	8	8
3 m Floor Element	24		1		1	2	1	2	3	2	3	4	4	4
3 m Hand Rail	3,9		2		2	4	2	4	6	4	6	8	8	8
Set of Two Castor Wheels	7,5	2	2	2	2	2	2	2	2	3	3	3	3	3
Wall Roller Assembly	6,5	2	2	2	2	2	2	2	2	2	2	2	2	2
Floor Connection Bar	1,1	2	2	4	4	4	6	6	6	8	8	8	10	12
Connection Stirrup w/ pins	12			1	1	1	2	2	2	3	3	3	7	7
End Guard Rail	7												2	2

15, 30 and 45 degrees section as well as 0,75 m balconies and other section lengths available upon request.