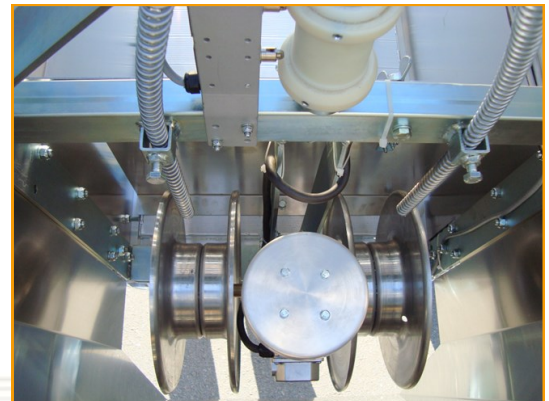




## SKY P.I

The CE approved *SKY CLIMBER*® SKY PI is designed to provide efficient working access as a permanent installation to many types of buildings and structures. Powered by Sky Climber hoists, this BMU/PI (Building Maintenance Unit/Permanent Installation) offers a cost effective, proven and safe working platform. The rated load of the Sky P.I cradle is 240kg or 2 men with tools. The Sky P.I conforms fully to BS EN1808 standard.



For over 55 years, Sky Climber has been designing, engineering and manufacturing quality hoists, rigging solutions and modular platforms.

Sky Climber provides Permanently Installed Access Systems when temporary products will not meet your needs. Our permanent cradles can be supplied with many types of roof suspension systems depending on the requirement. We are able to offer a permanent monorail track system, fixed or moveable, rotatable davit system, fixed suspension arms and roof car systems.

Whether you are (a) completely replacing an old system, (b) retrofitting a current system, or (c) require a new system, you can count on us to provide the best systems and options available today.

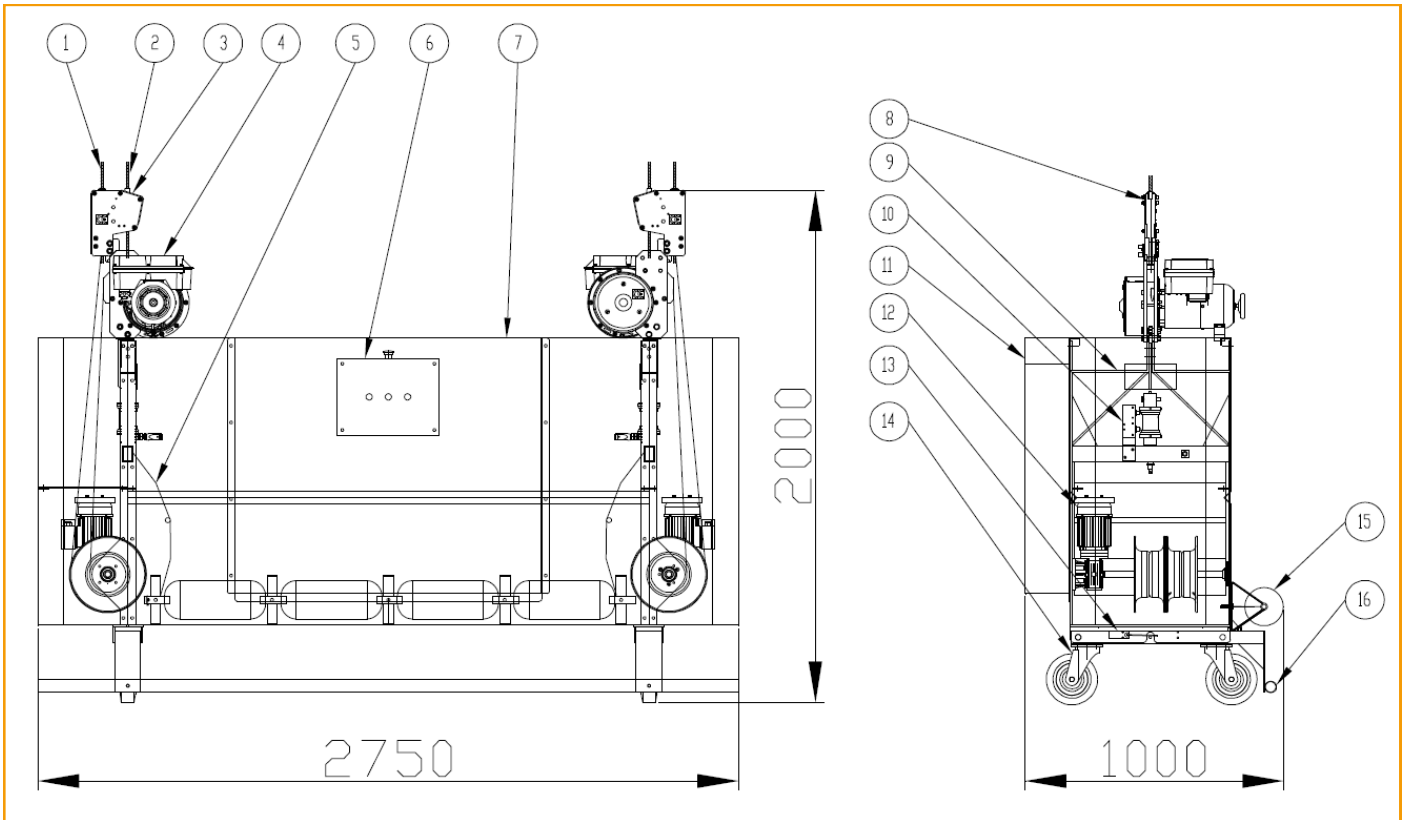
P.I's, hoists and accessories are all available from Zarafa Height Solutions Ltd to support the permanent cradle market. Full factory based maintenance packages are also available to compliment the service.

### Zarafa Height Solutions Limited

Unit 6, Orchard Park, Isaac Newton Way, Alma Park Ind. Estate, Grantham, NG31 9RT  
t: 01476 575400 f: 01476 575401 e: info@skyclimber.co.uk w: www.skyclimber.co.uk

Solutions @ Height

# Technical Specifications



1	Safety rope	9	Steel Stirrup
2	Suspension rope	10	Overload/ underload safety device
3	Sky Grip	11	Electric supply cable collection bin
4	Compact Hoist	12	Wire Winder 65m standard *
5	Wire Winder protection	13	Bottom limit switch
6	Central Control Box	14	Castor wheel
7	Sky Climber PI Cradle	15	Soft Wall roller
8	Top limit switch and ultimate top limit switch	16	Bottom trip bar

## Specification

### Hoist

Compact 400	
Motor	1 or 3 phase
Voltage	220-240V / 380-415V
Current	3.6 A / 2.4 A
Power	0.55 kW / 0.75 kW
Weight	35kg / 40 kg
Working Load Limit	400kg
Steel Wire Rope	8.4mm
Climbing Speed	8.4m/min

### Safety Device

Sky Grip
Steel Wire Rope - 8.4mm
Activation - 10° inclination
Option - Sky Lock Overspeed
Bottom Trip
Overload/ Underload
Top limit and Ultimate Top Limit

### Control unit

Central Control box
Supply Voltage - 220V/ 50 Hz/ 1ph or Supply Voltage - 400v/ 50Hz / 3ph
Control Voltage - 24V
Electronic Anti-tilting

Please note;

Other motor options available upon request.

Different platform lengths available upon request.